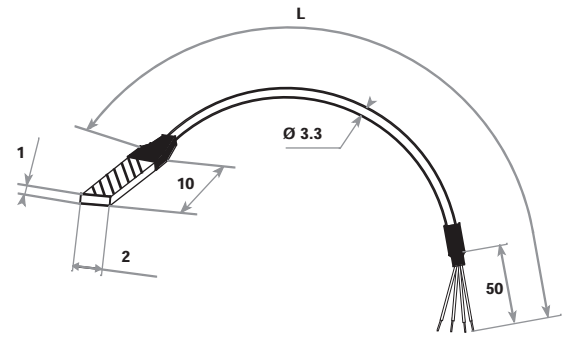


Alumina substrate, attached by gluing, cable output

- RTD 100 Ω probe, class A, 4 wires in compliance with NF EN 60751 standard on alumina substrate
 - mounted by gluing
 - withstands temperatures up to 250 °C
 - PTFE cable output, 2 lengths available

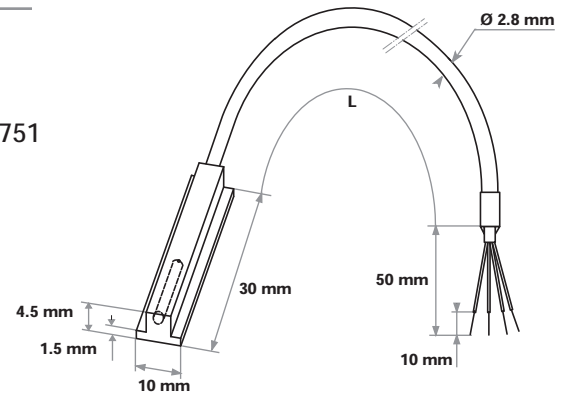
Cable length	Code
2 m	P07604116
5 m	P07604117



Dural base plate, to be glued or mounted, cable output

- RTD 100 Ω probe, class A, 4 wires in compliance with NF EN 60751 standard on dural base plate
 - mounted by gluing or clamping bolt
 - withstands temperatures up to 200 °C
 - PTFE cable output, 2 lengths available

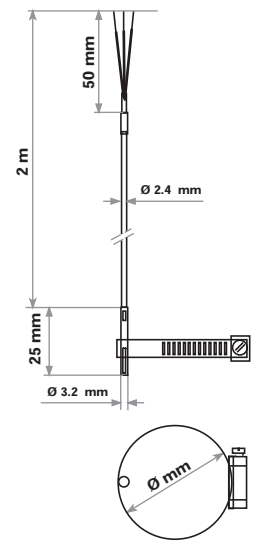
Cable length	Code
2 m	P07604124
5 m	P07604125



With serflex band, cable output

- RTD 100 Ω probe, class A, 3 wires in compliance with NF EN 60751 standard 316L stainless steel sheathing
 - mounted on tube with serflex band provided with probe
 - withstands temperatures up to 250 °C
 - PTFE cable output, length = 2 metres

Tube diameter (mm)	Code	Tube diameter (mm)	Code
10 < Ø < 15	L918515-001	34 < Ø < 50	L918515-005
16 < Ø < 22	L918515-002	49 < Ø < 65	L918515-006
20 < Ø < 26	L918515-003	64 < Ø < 80	L918515-007
26 < Ø < 34	L918515-004	79 < Ø < 95	L918515-008



Surface RTD 100 Ω sensing element, attached with adhesive, cable or wire output

- Flat, flexible, RTD 100 Ω sensing element, class B, in compliance with NF EN 60751 standard. Attached with adhesive
 - coating: Silicon-Elastomer
 - output: 1 x 4 wires, silver-plated copper, 0.055 mm² section, PTFE insulated
 - operating temperature: -70 °C to +200 °C

Dimensions (w x L)	Thickness	Code
10 x 23 mm	1.5 mm	L061822-000

- coating: adhesive fiberglass
- output: 2 silver wires
- operating temperature: -80 °C to +250 °C

Dimensions (w x L)	Thickness	Length of Lw wire	Code
20 x 20 mm	0.8 mm	40 mm	L061300-000
12 x 10 mm	0.8 mm	20 mm	L062300-000

